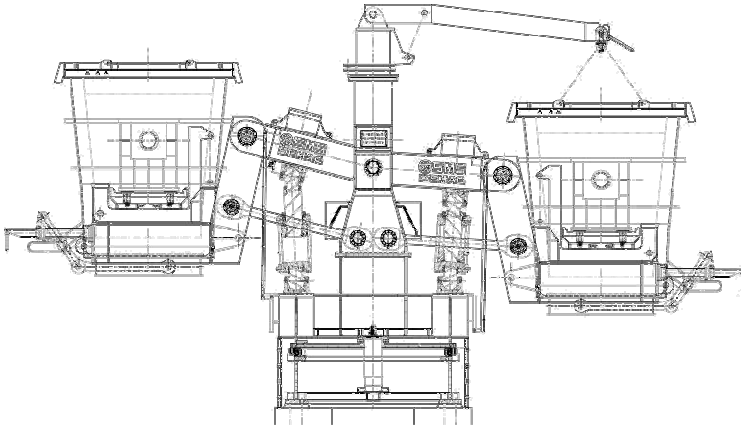


Ladle Turret Cylinder

Reference list since 1985



Customer or Steel plant	Dimensions (mm) piston / rod x stroke	Quantity	Design	Hunger-drawing no.
Angang Steel Plant, China	Ø 650 x 650	1	- rear flange / ball joint mounting - type with inner connecting rod	111808
Mannesmann Demag AG / Pohang Iron & Steel Co. Ltd.	Ø 750 / Ø 550 x 875	5	- trunnion / rod end flange mounting - double acting design	112237
Mannesmann Demag AG	Ø 700 x 500	2	- trunnion / rod end flange mounting - double acting design	112711
Mannesmann Demag AG	Ø 530 / Ø 380 x 540	6	- trunnion / rod end flange mounting - double acting design	113081
Mannesmann Demag AG	Ø 400 / Ø 300 x 700	4	- front flange / spherical rod end - double acting design	113461
SMS Schloemann-Siemag AG	Ø 600 x 700	14	- rear flange / ball joint mounting - type with inner connecting rod	117424
SMS Schloemann-Siemag AG	Ø 550 x 740	4	- rear flange / ball joint mounting - type with inner connecting rod	117425
SMS AG / Rourkela Steel Plant, India	Ø 450 x 455	3	- rear flange / ball joint mounting - type with inner connecting rod	117426

SMS Schloemann-Siemag AG	Ø 550 x 640	4	- rear flange / ball joint mounting - type with inner connecting rod	118233
SMS Schloemann-Siemag AG	Ø 680 x 670	5	- rear flange / ball joint mounting - type with inner connecting rod	118234
TATA Ltd., India	Ø 400 / Ø 280 x 830	1	- spherical bearings at both sides - double acting design	119234
Angang Steel Plant, China	Ø 650 x 650	1	- rear flange / ball joint mounting - type with inner connecting rod	120950
TATA Ltd., India	Ø 400 / Ø 280 x 830	5	- spherical bearings at both sides - double acting design	121405
SMS Demag AG / Essar Steel Ltd.	Ø 800 / Ø 520 x 670	2	- spherical bearings at both sides - double acting design	121657
SMS Demag AG	Ø 800 / Ø 520 x 670	2	- ball joint mounting at both sides - double acting design	121695
JSW Ispat Steel Ltd., India	Ø 680 x 670	1	- rear flange / ball joint mounting - type with inner connecting rod	118234
Corus UK Ltd.	Ø 850 / Ø 700	2	- axial bearings both sides	118819
Corus UK Ltd.	Ø 500 / Ø 300 x 575	4	- rear clevis / spherical rod end - double acting design	119991

total number of ladle turret cylinders	66
--	----

Lohr am Main, 10.04.2012