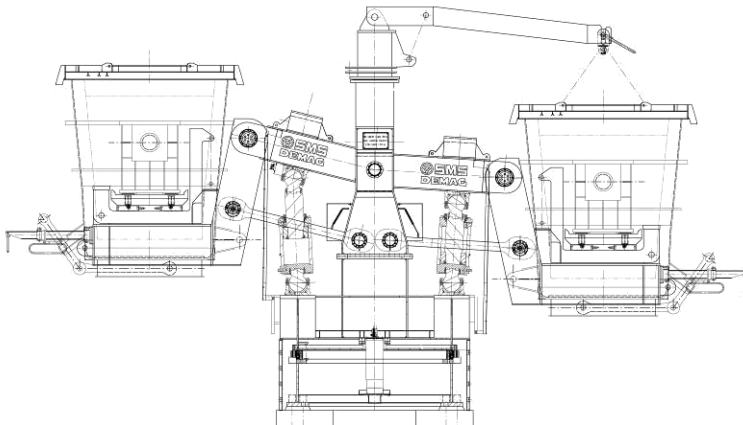


Ladle Turret Cylinder

Reference list since 1985



Dimensions (mm) piston / rod x stroke	Quantity	Design	Hunger-drawing no.
Ø 650 x 650	1	- rear flange / ball joint mounting - type with inner connecting rod	111808
Ø 750 / Ø 550 x 875	5	- trunnion / rod end flange mounting - double acting design	112237
Ø 700 x 500	2	- trunnion / rod end flange mounting - double acting design	112711
Ø 530 / Ø 380 x 540	6	- trunnion / rod end flange mounting - double acting design	113081
Ø 400 / Ø 300 x 700	4	- front flange / spherical rod end - double acting design	113461
Ø 600 x 700	14	- rear flange / ball joint mounting - type with inner connecting rod	117424
Ø 550 x 740	4	- rear flange / ball joint mounting - type with inner connecting rod	117425
Ø 450 x 455	3	- rear flange / ball joint mounting - type with inner connecting rod	117426
Ø 550 x 640	4	- rear flange / ball joint mounting - type with inner connecting rod	118233

Ø 680 x 670	5	- rear flange / ball joint mounting - type with inner connecting rod	118234
Ø 400 / Ø 280 x 830	1	- spherical bearings at both sides - double acting design	119234
Ø 650 x 650	1	- rear flange / ball joint mounting - type with inner connecting rod	120950
Ø 400 / Ø 280 x 830	5	- spherical bearings at both sides - double acting design	121405
Ø 800 / Ø 520 x 670	2	- spherical bearings at both sides - double acting design	121657
Ø 800 / Ø 520 x 670	2	- ball joint mounting at both sides - double acting design	121695
Ø 680 x 670	1	- rear flange / ball joint mounting - type with inner connecting rod	118234
Ø 850 / Ø 700	2	- axial bearings both sides	118819
Ø 500 / Ø 300 x 575	4	- rear clevis / spherical rod end - double acting design	119991
Ø 400 / Ø 280 x 830	1	- spherical bearings	119234
Ø 800 / Ø 520 x 670	1	- hydraulic flange at both sides	121657
Ø 800 / Ø 520 x 670	2	- hydraulic flange at both sides	121657
Ø 790 x 364	1	- single acting design	122773
Ø 400 / Ø 280 x 830	1	- double acting design	119234

total number of ladle turret cylinders	72
---	-----------